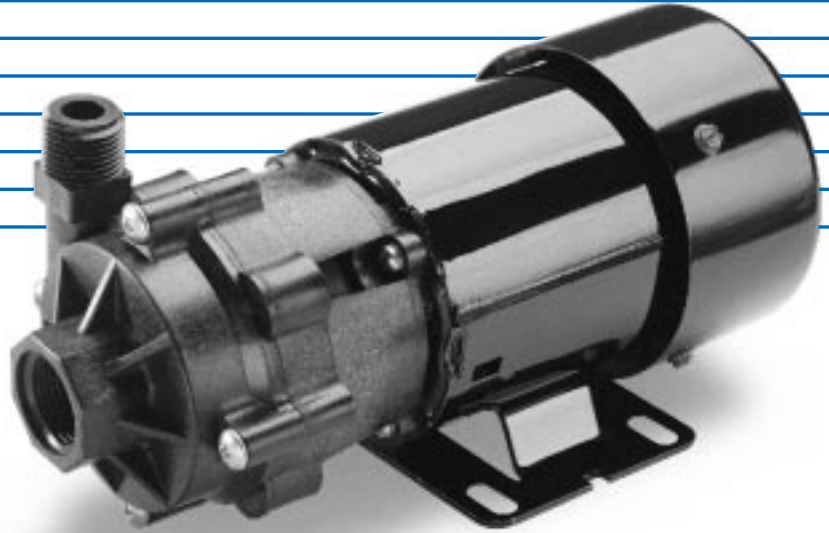


18650 Series



Pump Specifications:

Flow Rates — Range to 10.2 gpm; maximum head 20.7 feet. Maximum system pressure is 25 psi.

Motors —

- 115V, 60 Hz
Drip-proof, shaded pole, thermally protected
- 230V, 50/60 Hz
TEFC/PSC, thermally protected

Fluid Temperature — To 180°F (82°C)

Materials in Contact with Solution:

Body & Housing — Polypropylene

Impeller — Vectra®*

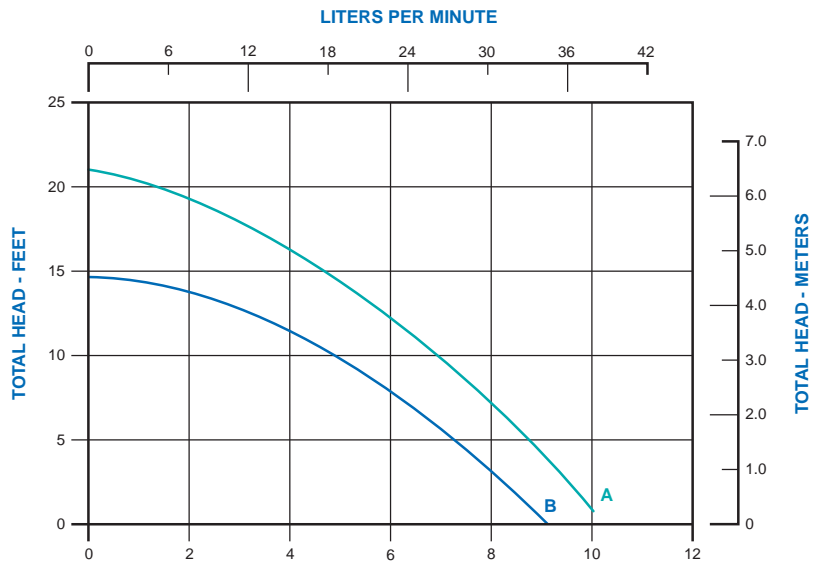
Bearing — Vectra®*

Pump Shaft — Ceramic

Thrust Bearings — Ceramic

O-Rings (Elastomers) —

- EPT/EPDM
- Viton®/Fluoroelastomer



U.S. GALLONS PER MINUTE

A - 60 Hz curve. B - 50 Hz curve.

MODEL SPECIFICATIONS

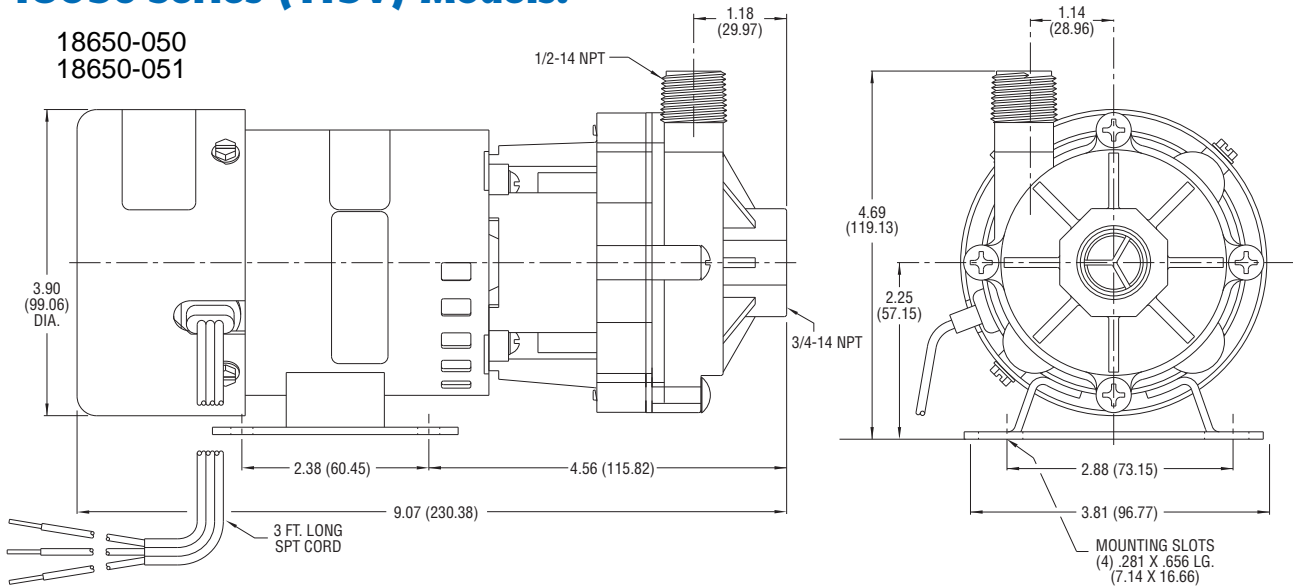
Model Number	O-Rings (Elastomers)	Volts	Hz	Amps	Typical Curve		Approx. Wt.
					50 Hz	60 Hz	
18650-050	EPT/EPDM	115	60	2.7	—	A	6.5 lbs.
18650-051	Viton®/Fluoroelastomer						
18650-052	EPT/EPDM	230	50/60	.5/.6	B	A	6.5 lbs.
18650-053	Viton®/Fluoroelastomer						

*Vectra® is chemically resistant to most acids, oxidants and bleaches, and organic solvents. (Do not use with chemicals which are bases.)

MAGNETIC DRIVE PUMPS - TYPICAL DIMENSIONS

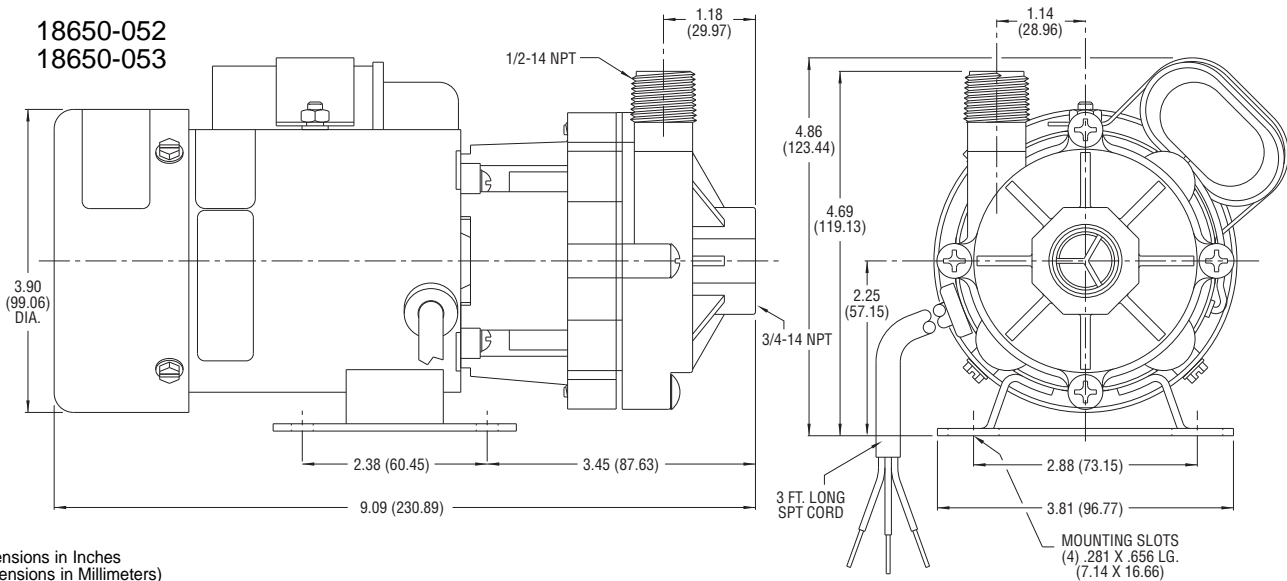
18650 Series (115V) Models:

18650-050
18650-051



18650 Series (230V) Models:

18650-052
18650-053



Dimensions in Inches
(Dimensions in Millimeters)



O-Rings

- (Elastomers) — a. Nitrile
b. Neoprene
c. Silicone
d. Hypalon®
e. Kel-F®

Motor —

115V, 50/60 Hz
TEFC/PSC, thermally protected