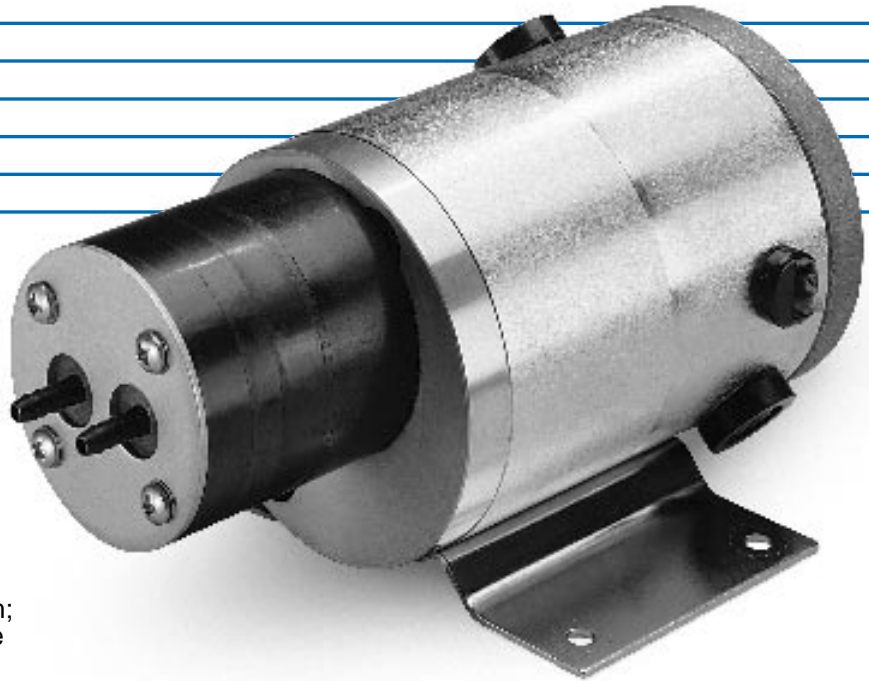


2000 Series



Pump Specifications:

Flow Rates — Range to 1.01 gpm;
maximum pressure
240 psi

Motor — 12VDC, nominal,
reversible, brush

Fluid Temperature — To 180°F (82°C)

Materials in Contact with Solution:

Body — PPS Polymer (Ryton®)

Seal — a. Carbon and Ceramic faces with 302 Stainless Steel spring
b. PPS Polymer (Ryton®) spring/seal retainer

Shafts — 630 Stainless Steel

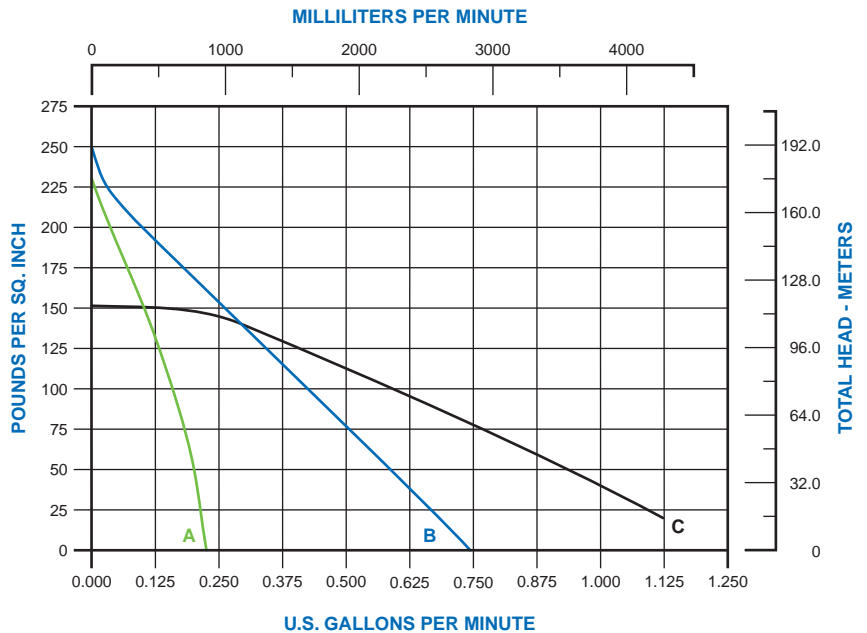
Hose

Connectors — PPS Polymer (Ryton®)

Gears — PPS Polymer (Ryton®)

O-Rings

(Elastomers) — Viton®/Fluoroelastomer



A - 12VDC curve (.080" gears).
B - 12VDC curve (.264" gears).
C - 12VDC curve (.537" gears).

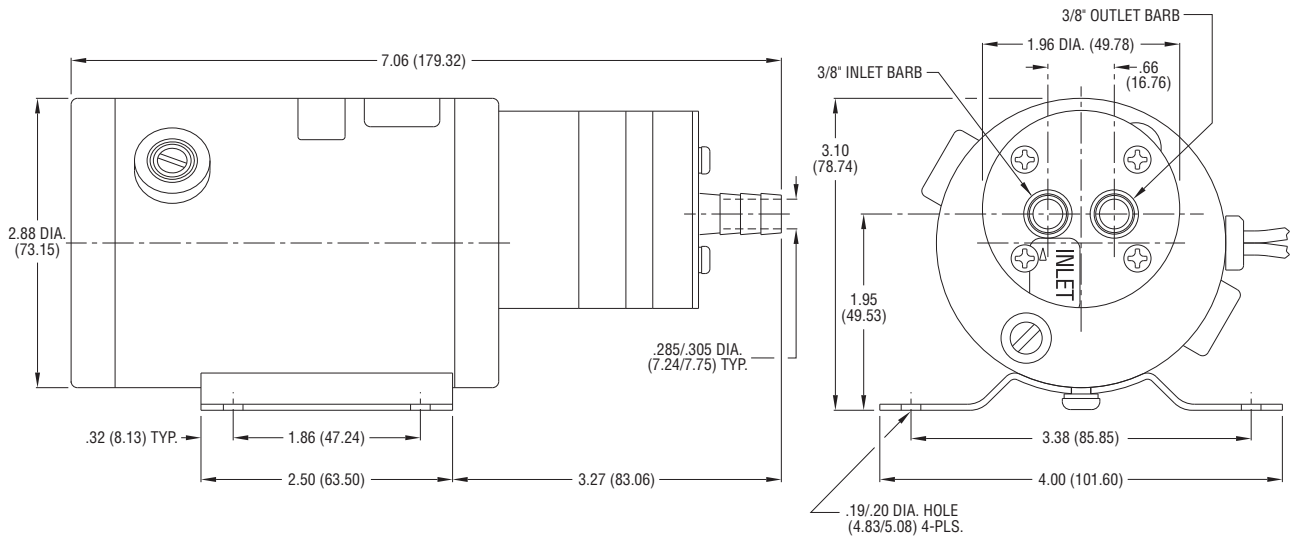
MODEL SPECIFICATIONS

Model Number	Series	Volts	Motor Type	Gear Thickness	Typical Curve	Approx. Wt.
					12VDC	
19002-001	2000	12VDC	Brush	.080"	A	3.5 lbs.
19002-002	2000	12VDC	Brush	.264"	B	3.5 lbs.
19002-003	2000	12VDC	Brush	.537"	C	3.5 lbs.

Note: Motor amps affected by flow rate. Consult factory for specs.

GEAR PUMPS - TYPICAL DIMENSIONS

2000 Series Model



Dimensions in Inches
(Dimensions in Millimeters)

OEM Options

O-Rings (Elastomers) — a. EPT/EPDM
b. Nitrile
c. Aflas®

Hose Connectors — PPS Polymer (Ryton®)
a. 1/8" hose barb
b. 1/4" hose barb
c. 3/8" hose barb

Gears — PPS Polymer (Ryton®) —
3 different gear sizes available