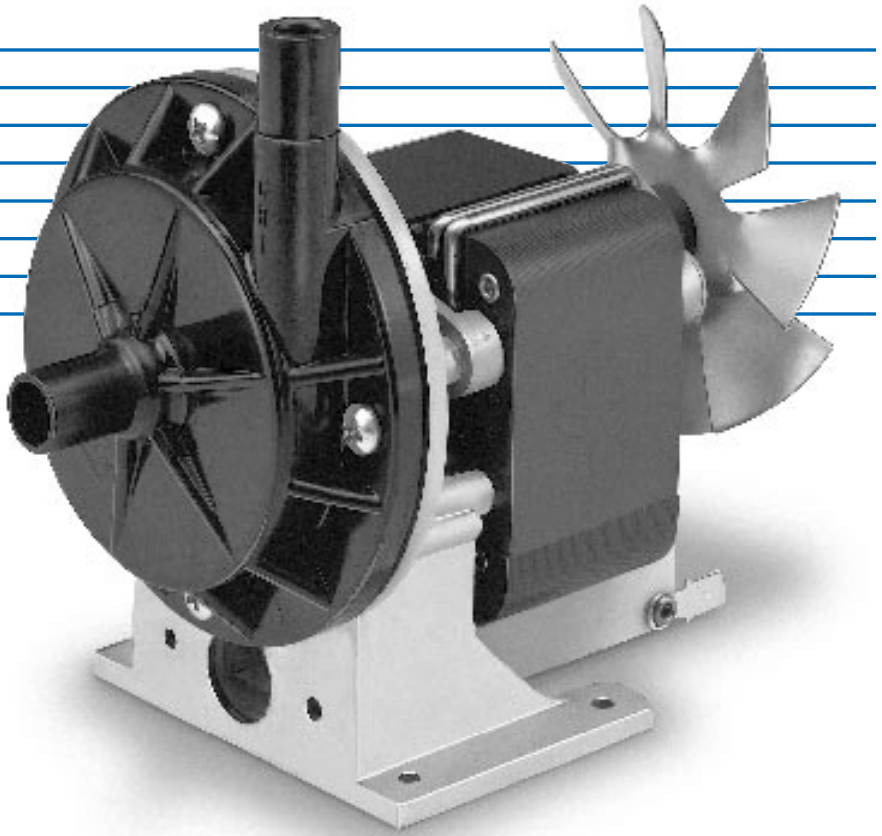


5600 Series



Pump Specifications:

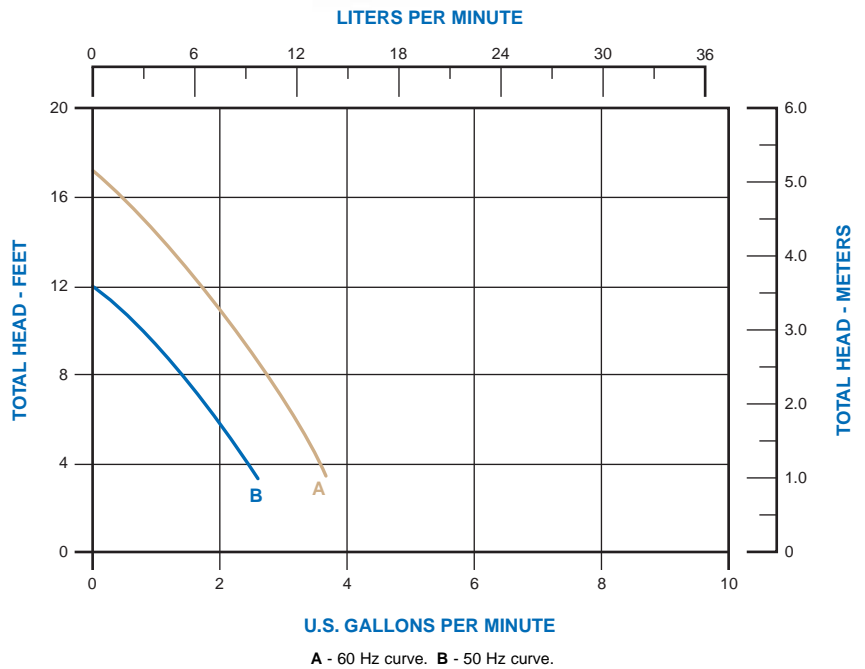
Flow Rates — Range to 3.5 gpm;
maximum head
16.9 feet

Motor — 115V, 50/60 Hz
Shaded pole,
thermally protected

Fluid Temperature — To 220°F (104°C)

Materials in Contact with Solution:

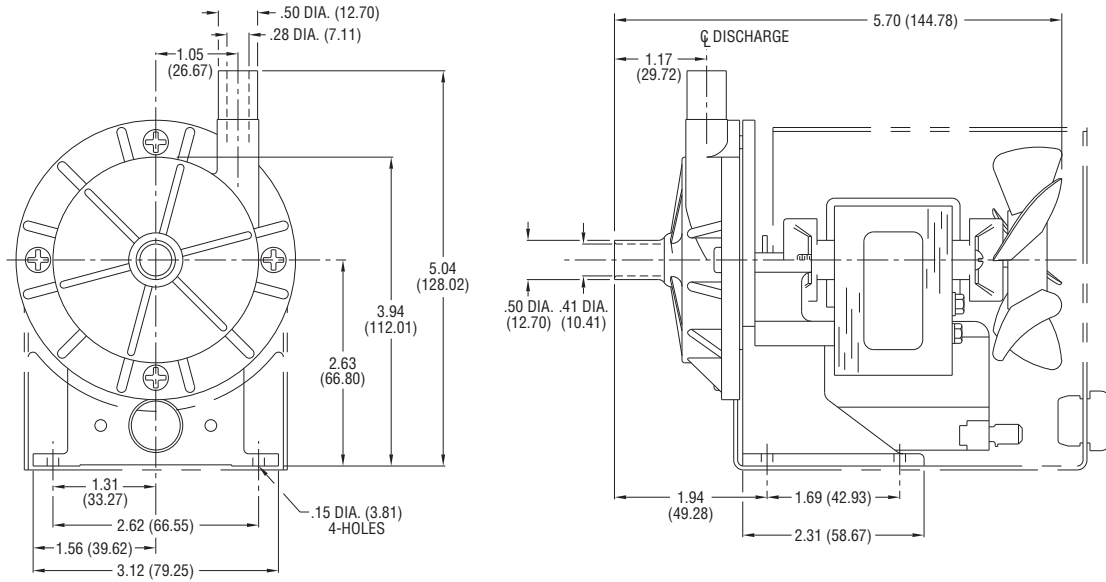
Body — Phenolic
Impeller — Phenolic
Seal — Carbon and
316 Stainless
Steel faces with
Polyethylene
and Nitrile
elastomers



MODEL SPECIFICATIONS										
Model Number	Series	Seal	Volts	Hz	Amps	Motor Type	Shell	Typical Curve		Approx. Wt.
								50 Hz	60 Hz	
15902-001	5600	Mech	115	50/60	2.4/1.6	SP	Open	B	A	4.5 lbs.
15951-001	Same as 15902-001 except with 6' cord and cover									

CENTRIFUGAL PUMPS - TYPICAL DIMENSIONS

5600 Series Model



Dimensions in Inches
(Dimensions in Millimeters)

OEM Options

- Impeller** — Stainless Steel
- Seals** —
- Buna N lip seal
 - Carbon vs. 316
Stainless Steel with
Brass, 302 Stainless
Steel and Kel-F® or
Butyl and EPT/
EPDM elastomers
- Motors** —
- 115V, 60 Hz
 - 230V, 50/60 Hz
 - 220/240V, 50 Hz