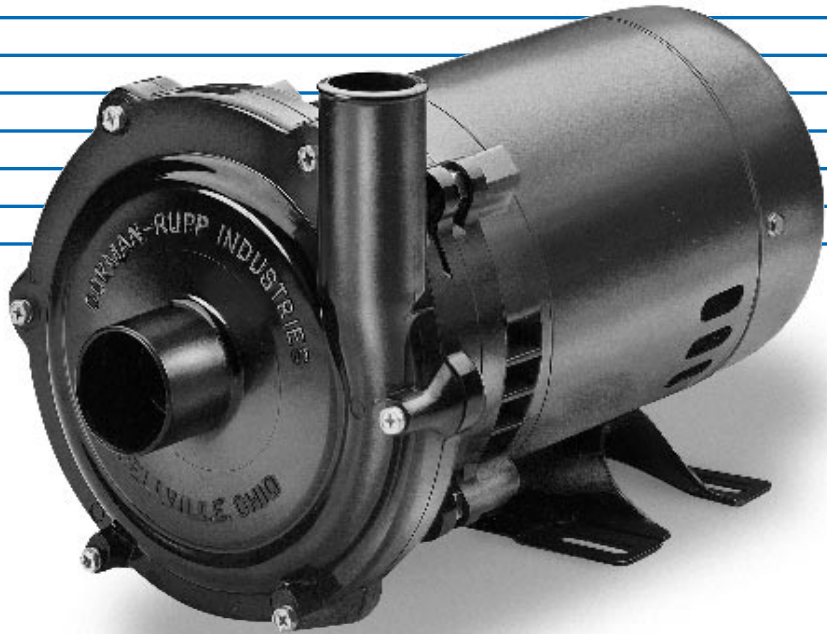


2700 Series



Pump Specifications:

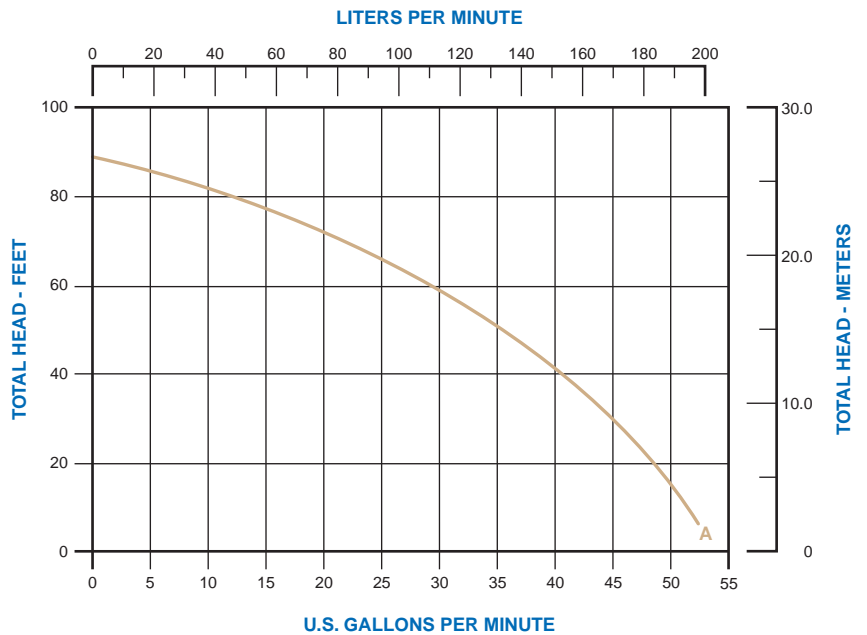
Flow Rates — Range to 49 gpm;
maximum head
85 feet

Motor — 115/230V, 60 Hz
½ hp, drip-proof,
capacitor start,
thermally protected

Fluid Temperature — To 220°F (104°C)

Materials in Contact with Solution:

Body — Phenolic
Impeller — Phenolic with 316
Stainless Steel shaft
Seal — Carbon and
Ceramic face
mechanical seal
with Nitrile
elastomers and
302 Stainless steel
and Brass parts



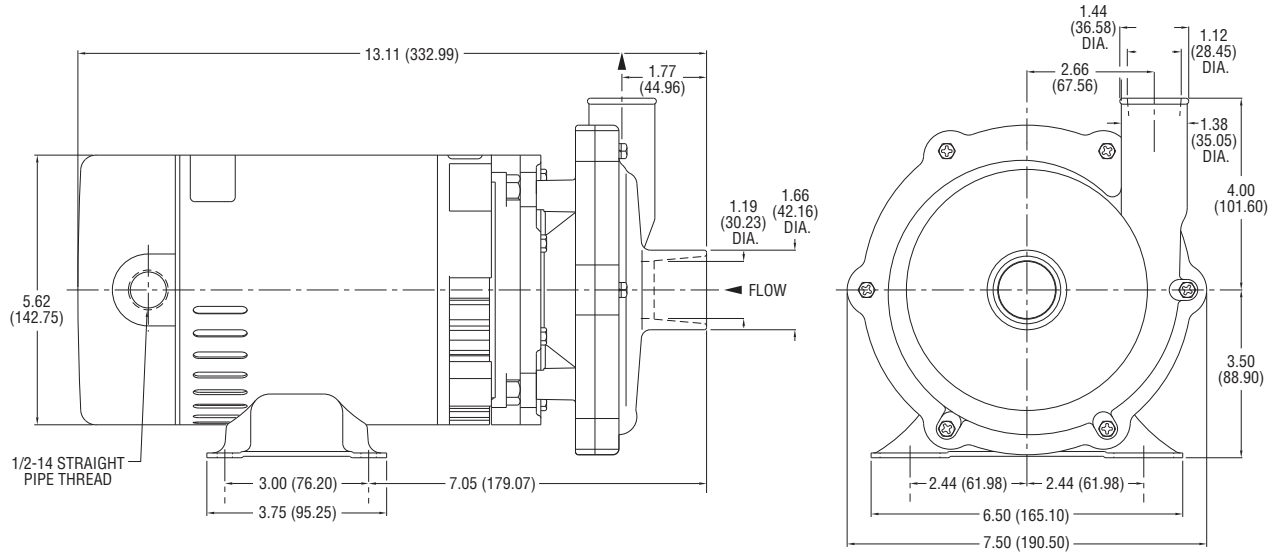
A - 60 Hz curve.

MODEL SPECIFICATIONS

| Model Number | Series | Seal | Volts | Hz | Amps | Motor Type | Shell | Typical Curve | | Approx. Wt. |
|--------------|--------|------|---------|----|-----------|------------|------------|---------------|-------|-------------|
| | | | | | | | | 50 Hz | 60 Hz | |
| 11821-013 | 2700 | Mech | 115/230 | 60 | 9.72/4.87 | Cap. Start | Drip-Proof | — | A | 22.0 lbs. |

CENTRIFUGAL PUMPS - TYPICAL DIMENSIONS

2700 Series Model



Dimensions in Inches
(Dimensions in Millimeters)



Impellers — Epoxy with Stainless
Steel shaft

Motor — Pedestal (no motor)