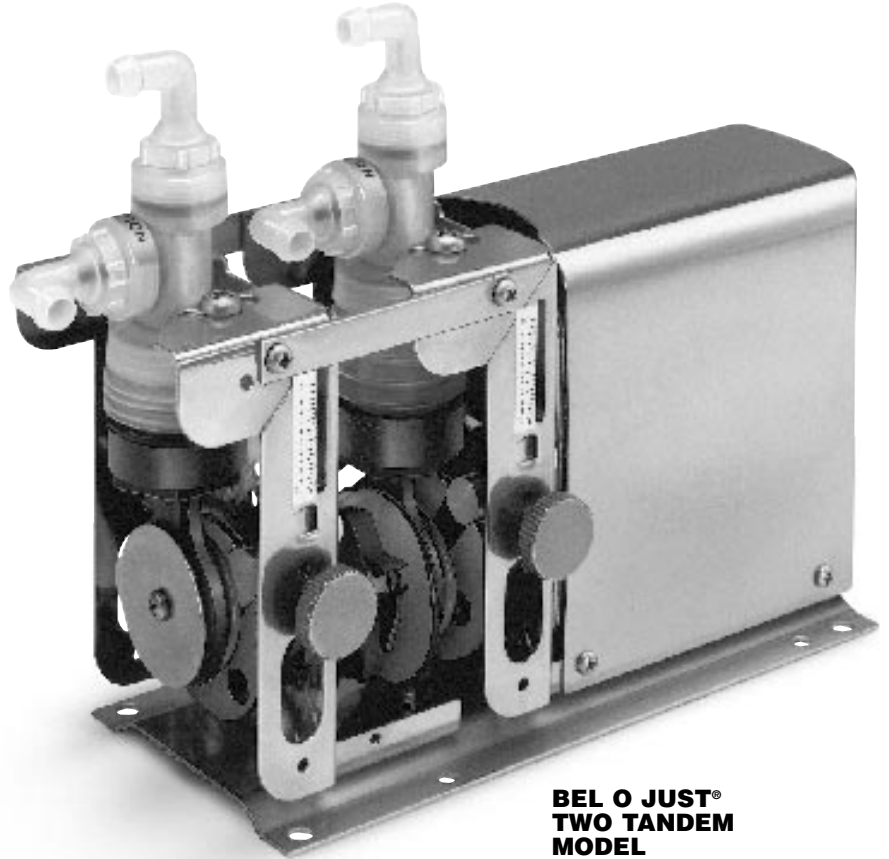


Two Tandem Pumps

Two tandem bellows pumps feature modular design for proportioning separate liquids. The flow rate of each bellows module is independently adjustable. Bellows modules are assembled out-of-phase for most efficient power usage. Total output of pump is limited to 3,000 ml/min.



**Standard
and
BEL O JUST®
Models**

**BEL O JUST®
TWO TANDEM
MODEL**

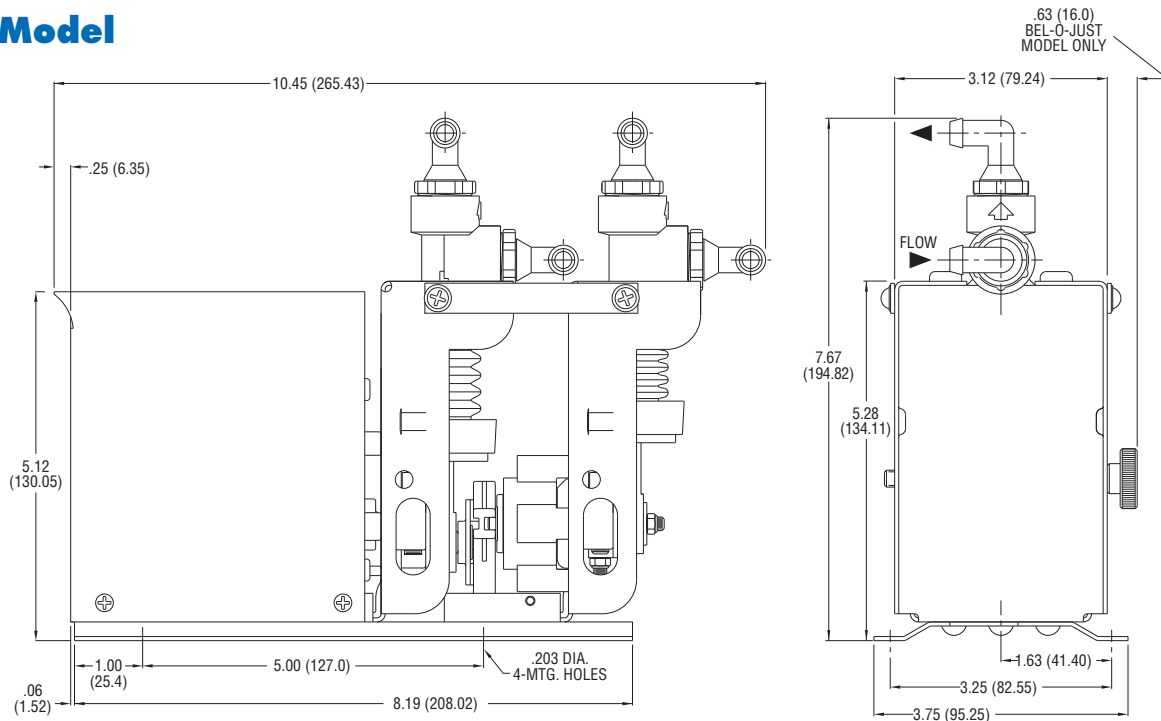
MODEL SPECIFICATIONS

Standard Single Model Number		BEL O JUST® Model Number		Bellows	Discharge Strokes per minute (Motor RPM)		Maximum Flow ml per minute per module		Gallons (Liters) per hour per module		Max. Pressure	Electrical Amps*	Approx. Wt.
120V/60 Hz 110V/50 Hz	240V/60 Hz 220V/50 Hz	120V/60 Hz 110V/50 Hz	240V/60 Hz 220V/50 Hz	Diameter Inches	50 Hz	60 Hz	50 Hz	60 Hz	50 Hz	60 Hz	PSI (kg/cm ²)	120V 60 Hz	lbs.
13701-021	13701-022	14324-029	14324-030	1 x 1	50	60	250.0/ 250.0	300.0/ 300.0	3.96/3.96 (15.0/15.0)	4.75/4.75 (18.0/18.0)	20/20 (1.50/1.50)	1.1	7.5
13701-019	13701-020	14324-027	14324-028	1 x 1	75	90	375.0/ 375.0	450.0/ 450.0	5.94/5.94 (22.5/22.5)	7.13/7.13 (27.0/27.0)	20/20 (1.50/1.50)	1.1	7.5
13726-016	13726-017	15904-003	15904-004	1½ x 1½	50	60	525.0/ 525.0	630.0/ 630.0	8.32/8.32 (31.5/31.5)	9.98/9.98 (37.8/37.8)	10/10 (.73/.73)	1.1	7.5
13726-014	13726-015	15904-001	15904-002	1½ x 1½	75	90	787.5/ 787.5	945.0/ 945.0	12.47/12.47 (47.2/47.2)	14.97/14.97 (56.7/56.7)	10/10 (.73/.73)	1.1	7.5

*Amp values for 240V will be approximately 50% of 120V values shown above.

TWO TANDEM BELLOWS - TYPICAL DIMENSIONS

1" Model



Dimensions in Inches
(Dimensions in Millimeters)

Order Notes: When ordering a two tandem bellows model, add one "X" code for valve and O-ring material selection and one "T" code for connector selection from the Bellows Part Selection Guide.

Example: 13726-014 (1½" x 1½" two tandem model) with Hypalon® poppet valves and O-rings and elbow connectors for ¾" I.D. tubing would be ordered as 13726-014 X-115 T-008 X-115 T-008.