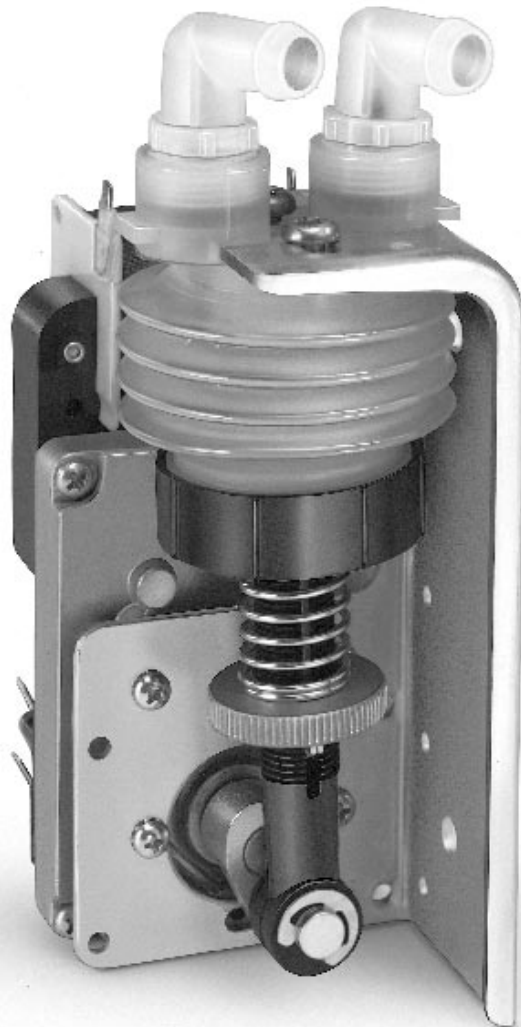


Single Stroke Pumps

Actuation of the single stroke dispensing pump is triggered by a switch. The crank makes one revolution before a microswitch interrupts the power circuit. Flow rates can be adjusted. Gearmotors on dispensing pump are rated for intermittent duty cycles.



2 1/2" SINGLE STROKE MODEL

MODEL SPECIFICATIONS

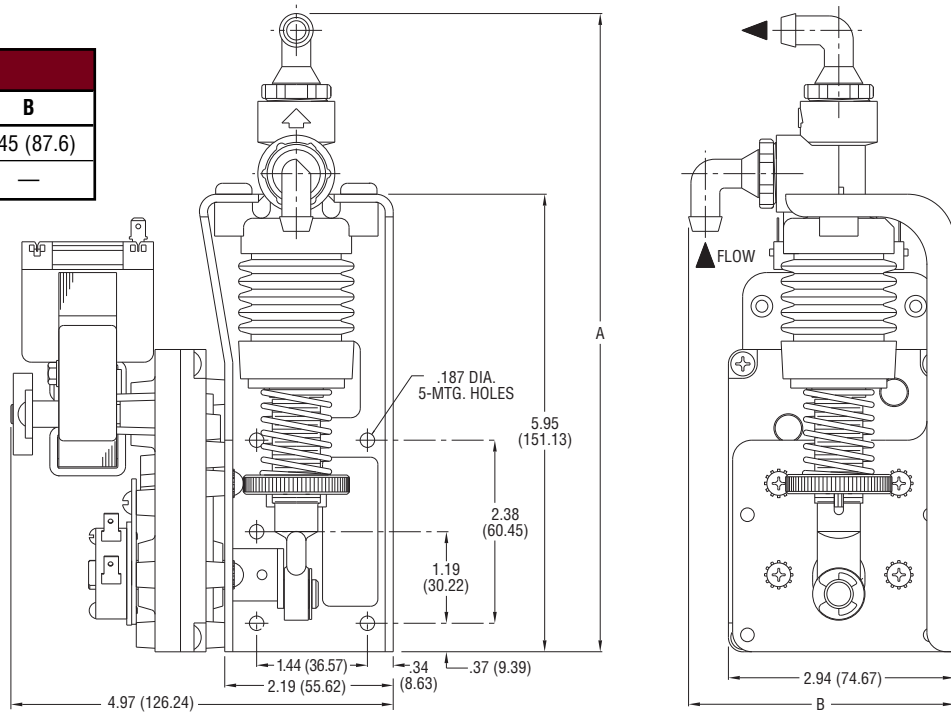
Dispensing Pump Model Number		Bellows Diameter Inches	Discharge Strokes per min. Motor RPM		Max. Flow ml per stroke	Max. Pressure PSI (kg/cm ²)	Electrical Amps* 120V 60 Hz	Approx. Wt. lbs.
120V 50/60 Hz	240V 50/60 Hz		50 Hz	60 Hz				
15090-001	15090-002	1	8.3	10	5.0	40 (2.9)	.3	5
15090-003	15090-004	1 1/2	8.3	10	10.5	20 (1.5)	.3	5
12800-007	12800-026	2 1/2	8.3	10	55.0	5 (.37)	.3	5

*Amp values for 240V will be approximately 50% of 120V values shown above.

SINGLE STROKE BELLOWS - TYPICAL DIMENSIONS

1½" Model

DIMENSIONS		
Pump Model	A	B
1" - 1½"	8.3 (210.8)	3.45 (87.6)
2½"	7.67 (194.8)	—



Dimensions in Inches
(Dimensions in Millimeters)

Order Notes: When ordering a single stroke model, add one "X" code for valve and O-ring material selection and one "T" code for connector selection from the Bellows Part Selection Guide.

Example: 12800-007 (2½" bellows model) with Hypalon® poppet valves and O-rings and elbow connectors for ½" I.D. tubing would be ordered as 12800-007 X-125 T-009.