



DIVISION OF THE GORMAN-RUPP COMPANY

PHONE (419) 886-3001 / TELEX: 4973725 / FAX (419) 886-2338

SERVICE DATA SHEET

15000/17000 OSCILLATING PUMP

DESCRIPTION

The oscillating pump is a low flow, low pressure transfer or circulating pump available in several different models for OEM applications. Dimensions are 7.12 (18 cm) long, 2.38 (6.04 cm) wide by 2.32 (5.89 cm) height. The pump contains an elastomeric impeller that extends through a spring and armature and into an electric coil. A diode in the circuit feeds DC impulses to the coil 50 or 60 times per second. Each pulse draws the armature and impeller forward against the spring, pumping liquid through the outlet. The spring returns the armature and impeller to their original position, drawing liquid through the inlet.

MATERIALS IN CONTACT WITH SOLUTION

Connectors — Polypropylene
(glass reinforced)
Impeller — EPT
Discharge Check Valve — EPT

PRIMING

The pump will self prime at 48" under most conditions. Reduced voltage will reduce priming ability and flow rate.

TEMPERATURE

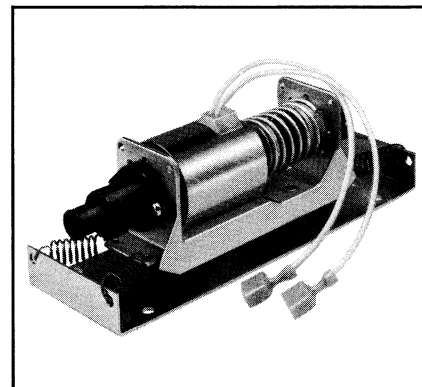
The oscillating pump is designed for use with fluids at normal room temperature; for temperatures over 104°F (40°C), please consult the factory for recommendations.

VISCOSITY

The pump will handle many different kinds of liquids. Fluids more viscous than water, however, will reduce the flow rate. Contact factory for recommendations.

CHEMICAL SERVICE

The oscillating pump will handle many different kinds of liquids. For specific chemical service, write for our standard product catalog (86230). Elastomer swell must be less than 1%.



TROUBLESHOOTING GUIDE

The troubleshooting guide is a suggestion or aid to help solve problems that might arise.

PUMP LEAKS

1. Loose connectors.
2. Hole in impeller.

PUMP NOISY

1. Pump not assembled correctly.
2. Coil loose.
3. Loose mounting springs on base.

LOW FLOW OR NO PRIME

1. Pump not assembled correctly.
2. Viscosity too high.
3. Restricted suction or high discharge pressure.
4. Loose connector.
5. Hole in impeller.
6. Chemical attack on elastomer.
7. Impeller valves worn.
8. Foreign material in valves.
9. Diode failure or shorted coil.

WARRANTY

Gorman-Rupp Industries warrants to Buyer that products sold by it will upon shipment conform to the description on the face hereof and any written specifications expressly approved by Seller and be free from defects in title, material and workmanship. **NO OTHER WARRANTY, WHETHER EXPRESS OR IMPLIED, INCLUDING ANY WARRANTY OF MERCHANTABILITY OR FITNESS FOR A PARTICULAR PURPOSE, SHALL EXIST IN CONNECTION WITH ANY PRODUCTS SOLD BY SELLER, AND ALL SUCH WARRANTIES ARE HEREBY EXPRESSLY EXCLUDED.**

WARNING

DANGER:

Improper application, installation, adjusting, or servicing can result in serious injury or death. Always disconnect power source before working on this product.

Caution:

Products with electric motors must be properly grounded and may start automatically at any time. For product information, consult Gorman-Rupp Industries, Bellville, Ohio 44813, USA, Phone 419-886-3001.

15000/17000 COIL SPRING OSCILLATING PUMP

