



DIVISION OF THE GORMAN-RUPP COMPANY

Phone (419) 886-3001 • FAX (419) 886-2338

grisales@gripumps.com • www.gripumps.com

# SERVICE DATA SHEET

## 14825 OSCILLATING PUMP

### DESCRIPTION

The oscillating pump is a low flow, low pressure transfer or circulating pump, available in several different models for OEM applications. Dimensions are 7.12 (18 cm) long, 2.38 (6.04 cm) wide, by 2.32 (5.89 cm) high. The pump contains an elastomeric impeller that extends through a spring and armature and into an electric coil. A diode in the circuit feeds DC impulses to the coil 50 or 60 times per second. Each pulse draws the armature and impeller forward against the spring, pumping liquid through the outlet. The spring returns the armature and impeller to their original position, drawing liquid through the inlet.

### MATERIALS IN CONTACT WITH SOLUTION

Connectors	— Polypropylene (glass reinforced)
Impeller	— EPT
Discharge Check Valve	— EPT

### PRIMING

The pump is self-priming at 48" under most conditions. Reduced voltage will reduce priming ability and flow rate.

### TEMPERATURE

The oscillating pump is designed for use with fluids at normal room temperature. For temperatures over 104°F (40°C), please consult the factory for recommendations.

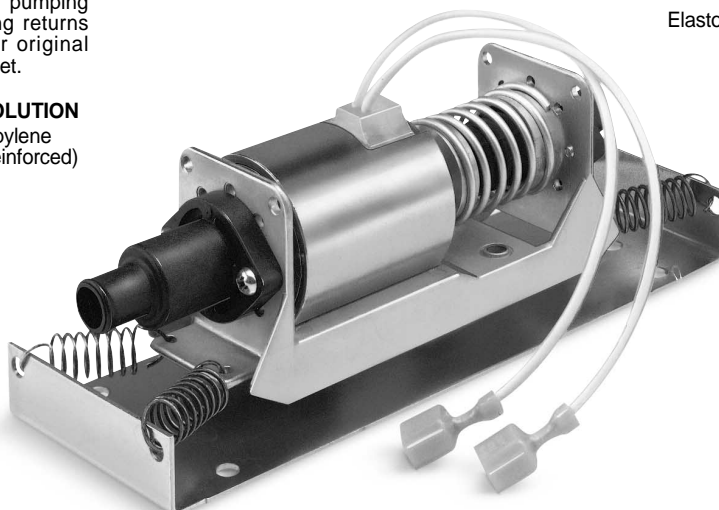
### VISCOSITY

The pump has been designed to handle a wide range of liquid viscosities. Fluids more viscous than water, however, will reduce the flow rate. Please consult the factory for recommendations.

### CHEMICAL SERVICE

The oscillating pump will handle many different kinds of liquids. For specific chemical service, refer to our Full Line Catalog, Form No.10001.

Elastomer swell must be less than 1%.



## TROUBLESHOOTING GUIDE

The troubleshooting guide is a suggestion or aid in helping solve problems that might arise.

**NOTE: Never work on pump without making certain power is off.**

### PUMP LEAKS

1. Loose connectors.
2. Hole in impeller.

### PUMP NOISY

1. Pump not assembled correctly.
2. Coil loose.
3. Loose mounting springs on base.

### LOW FLOW OR NO PRIME

1. Pump not assembled correctly.
2. Viscosity too high.
3. Restricted suction or high discharge pressure.
4. Loose connector.
5. Hole in impeller.
6. Chemical attack on elastomer.
7. Impeller valves worn.
8. Foreign material in valves.
9. Diode failure or shorted coil.

### WARRANTY

Gorman-Rupp Industries warrants to Buyer that products sold by it will upon shipment conform to the description on the face hereof and any written specifications expressly approved by Seller and be free from defects in title, material and workmanship. NO OTHER WARRANTY, WHETHER EXPRESS OR IMPLIED, INCLUDING ANY WARRANTY OF MERCHANTABILITY OR FITNESS FOR A PARTICULAR PURPOSE, SHALL EXIST IN CONNECTION WITH ANY PRODUCTS SOLD BY SELLER, AND ALL SUCH WARRANTIES ARE HEREBY EXPRESSLY EXCLUDED.

### WARNING

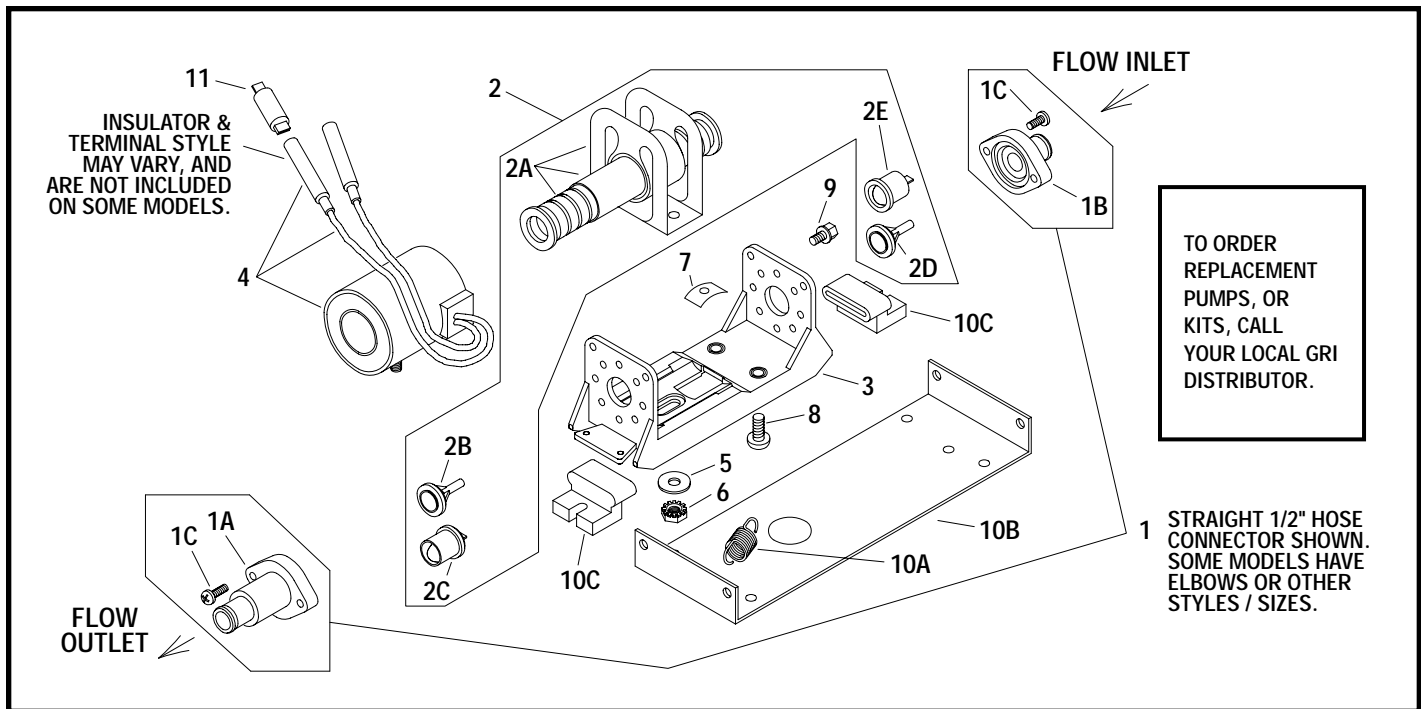
#### DANGER:

Improper application, installation, adjusting, or servicing can result in serious injury or death. Always disconnect power source before working on these products.

#### Caution:

Products with electric motors must be properly grounded and may start automatically at any time. For product information, consult Gorman-Rupp Industries, Bellville, Ohio 44813, Phone (419) 886-3001.

# EXPLODED VIEW – 14825 SERIES OSCILLATING PUMPS



TO ORDER REPLACEMENT PUMPS, OR KITS, CALL YOUR LOCAL GRI DISTRIBUTOR.

## REPAIR PARTS

REF. NO.	PART NO.	DESCRIPTION
1	See Below	Connector Kit - Includes Ref. No. (1A), (1B), (1C)
1A	See Below	Connector, Outlet
1B	See Below	Connector, Inlet
1C	05029-012	Screw, Machine #6-32 (4 used per pump)
2	See Below	Impeller Assembly & Valve Kit - Includes Ref. No. (2A), (2B or 2C), (2D or 2E, if applicable)
2A	See Below	Impeller & Armature/Spring Assembly
2B	See Below	Valve, Poppet - Outlet
2C	See Below	Valve, Segment - Outlet
2D	See Below	Valve, Poppet - Inlet
2E	See Below	Valve, Segment - Inlet
3	See Below	Base

REF. NO.	PART NO.	DESCRIPTION
4	See Below	Coil & Frame Assembly
5	05697-228	Washer, Flat #10 SST (not used on all models)
6	05628-058	Nut with Lockwasher #10-32
7	05658-002	Nut, Flat #10-24 (2 used per pump)
8	05123-012	Screw, Machine #10-24 (2 used per pump)
9	05443-508	Screw, Ground #8-32
10A	See Below	Spring, Mounting (4 used per pump, if applicable)
10B	See Below	Bracket, Spring-Mounting (if applicable)
10C	See Below	Mount, Rubber (2 used per pump, if applicable)
11	11701-002	Diode (Not incl. with all models, but req'd for operation)

## REFERENCE NUMBERS

MODEL NO.	REF. NO. 1	REF. NO. 1A	REF. NO. 1B	REF. NO. 2	REF. NO. 2A	REF. NO. 2B OR 2C	REF. NO. 2D OR 2E	REF. NO. 3	REF. NO. 4	REF. NO. 10A, 10B, OR 10C
14825-556	02501-291	11687-000	11687-000-	02501-682	15888-051	12099-111 (2B)	12099-111 (2D)	15647-006	14820-246	11248-000 (10C)
14825-562	02501-275	11687-000	11252-000	02501-683	15888-059	12099-111 (2B)	-	15647-006	14820-291	12253-001 (10A) 11252-000 (10B)
14825-601	02501-275	11687-000	11252-000	02501-493	15888-055	12099-111 (2B)	-	15647-006	14820-088	11253-001 (10A) 11252-000 (10B)
14825-604	02501-275	11687-000	11252-000	02501-389	15888-057	12099-111 (2B)	-	15647-006	14820-091	11253-001 (10A) 11252-000 (10B)
14825-619	02501-275	11687-000	11252-000	02501-493	15888-055	12099-111 (2B)	-	15647-006	14820-091	11253-001 (10A) 11252-000 (10B)



DIVISION OF THE GORMAN-RUPP COMPANY  
 Phone (419) 886-3001 • FAX (419) 886-2338  
 grisales@gripumps.com • www.gripumps.com